

Product introduction

Description



FZ20 valve manifolds are mainly used for input signal switching on and switching off, pressure balance and discharge operation of pressure transmitters, convenient for instruments installation, maintenance and inspection.

FZ20 valve manifolds are widely used in industries of petroleum, chemical, metallurgical, power, liquid, natural gas and various of conveying pipelines.

Main parameters

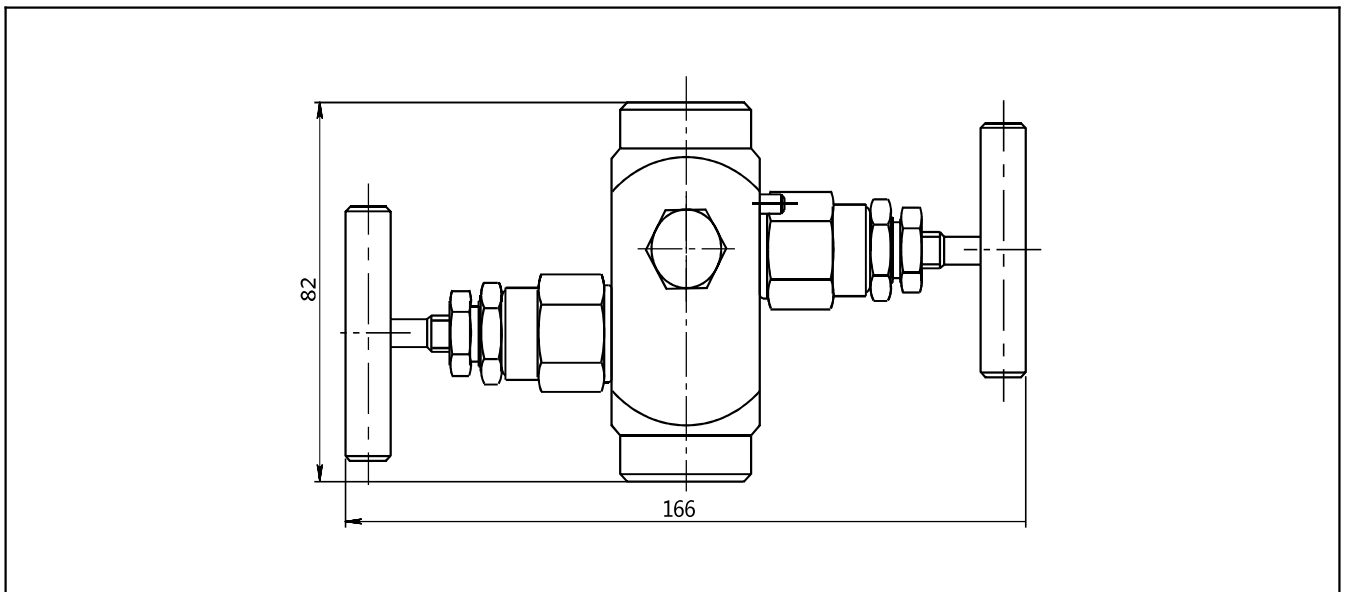
Safety shotpin	Adopting stainless steel pin to prevent the valve seat out off the valve body due to vibration
Valve body design	Integral structure, firm and reliable.
Valve seat seal	Stainless steel seal, safe and reliable.
Valve spool	High-performance duplex stainless steel and spherical positioning function to improve sealing performance and service life of the valve
Lubricating grease	Imported grease used between the sealing gasket and adjusting screw to reduce friction and improve sealing performance.
Material	SUS316, SUS304, Monel, Hastelloy C
Marked cover	Green, red, blue mark for pressure-leading valve, balance valve, draining valve respectively
Stuffing box filler	PTFE
Working pressure	32MPa, 42MPa
Working temperature	≤150°C
Ambient temperature	-30°C-+93°C

FZ20 two-valve manifold

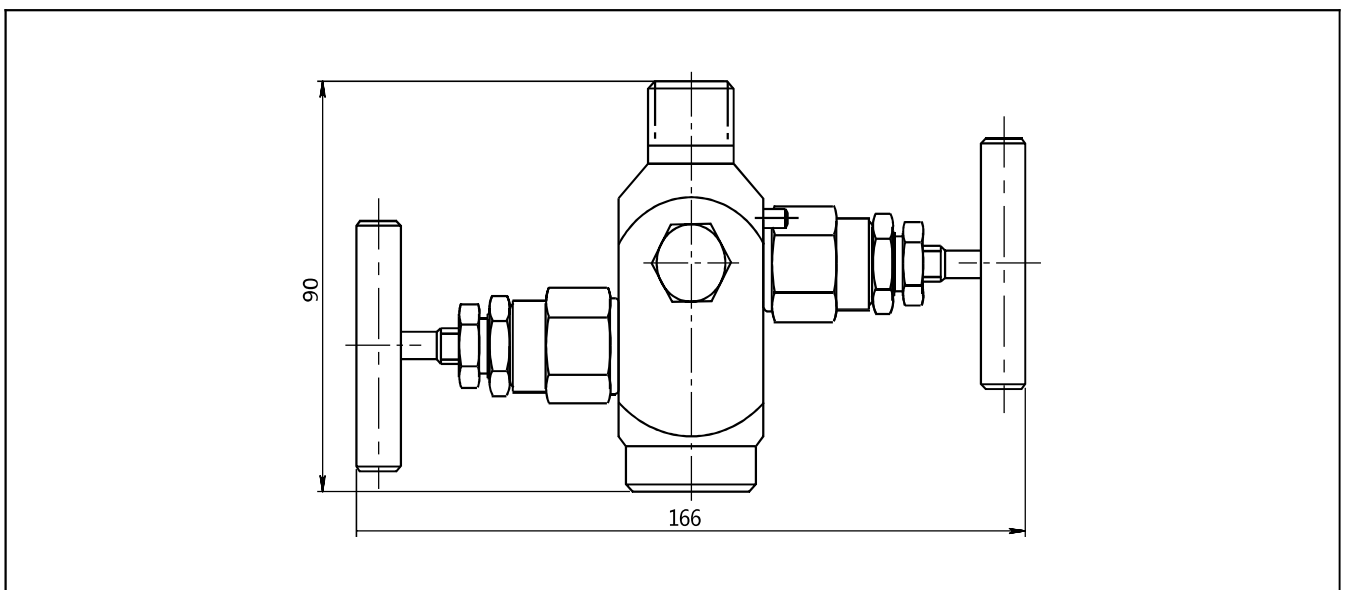
Two-valve manifold is the necessary accessory matched with intelligent pressure transmitters, the function is leading signal from the input-pressure point to the pressure transmitter measurement chamber and make them connected or disconnected. It is generally applied with control instruments at site to provide multiple channels for the instruments, reduce installation workload and improve system reliability.

Dimension

Input pressure side 1/2NPT(F), output pressure side 1/2NPT(F) (Unit: mm)

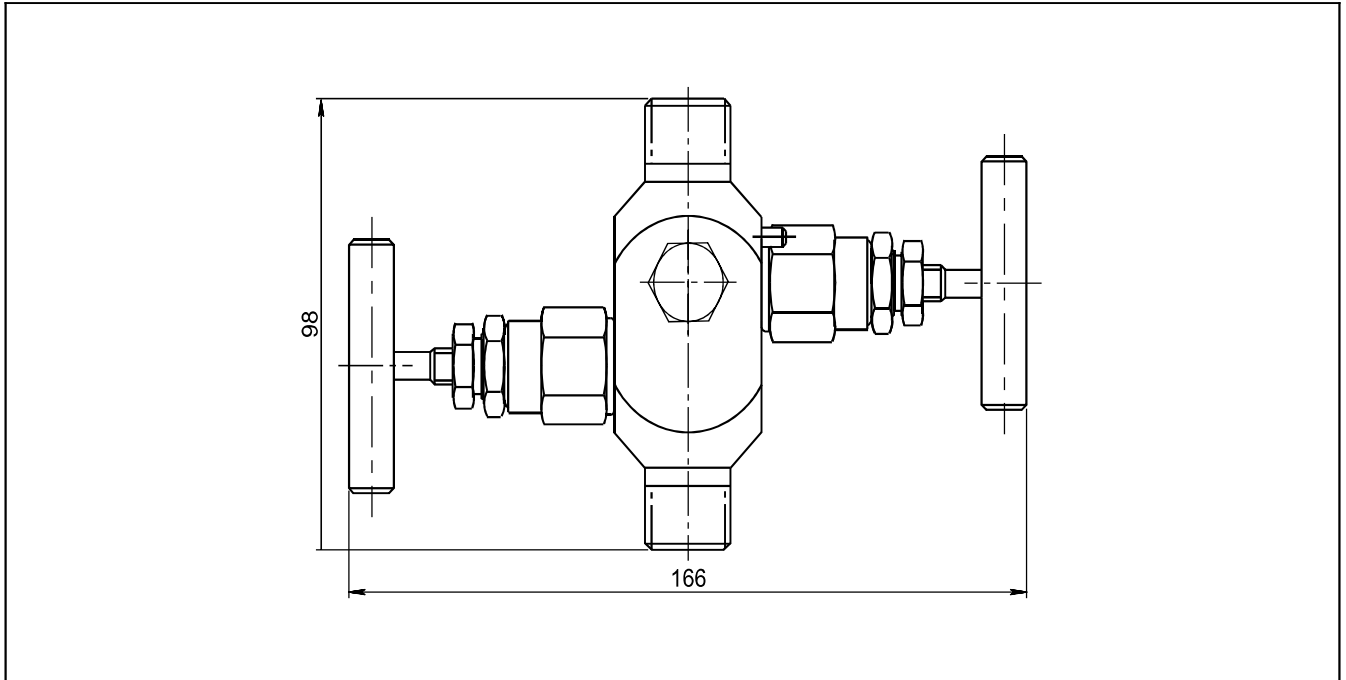


Input pressure side 1/2NPT(F), output pressure side 1/2NPT(M) (Unit: mm)



## Dimension

Input pressure side 1/2NPT(M), output pressure side 1/2NPT(M) (Unit: mm)



Ordering information chapter

0 =Provide - =Not provide

FZ	Code	Code description	
<b>Types</b>	20	2-valve Manifold	0
<b>Separator</b>	-	Detailed specifications as following	
<b>Material</b>	4	304 stainless steel	0
	6	316 stainless steel	0
	Y1	Customer	Discussed
<b>Instrument connection</b>	M	1/2NPT(M)	0
	N	1/2NPT(F)	0
	Y2	Customer	Discussed
<b>Press port connection</b>	M	1/2NPT(M)	0
	N	1/2NPT(F)	0
	Y3	Customer	Discussed
<b>Special requirement</b>	Y4	Special explain	Discussed
<b>Example</b>	FZ20-4NN		



**Shanghai LEEG Instruments Co.,Ltd**

ADD : No.100 Duhui Road, Minhang District, Shanghai China

Postcode:201109

Tel : (86) 21-31261976

Fax : (86) 21-31261975

E-mail:sales@leegsensor.com info@leegsensor.com

Web : www.leegsensor.com



scan & follow LEEG wechat



check website for more info

Disclaimer: all the data used in the product description is not legally binding. Relevant technical details may be changed due to further improve